



WSP Canada Inc.
 1 Spectacle Lake Drive
 Dartmouth, Nova Scotia, Canada B3B 1X7
 T 902-835-9955 www.wsp.com

SEAL:

LEGEND:	EXISTING	PROPOSED
EDGE OF PAVEMENT		---
GRAVEL SHOULDER		
UTILITY POLE & OUT WIRE	—○—	—○—
CURB	---	---
HAND RAIL	---	---
TOP OF SLOPE	---	---
BOTTOM OF SLOPE	---	---
DITCH/SWALE	---	---
NEW ASPHALT FOR WIDENING	---	---
CONCRETE SIDEWALK	---	---
CATCH BASIN	---	---

DISCLAIMER: DRAWINGS SUBJECT TO APPROVAL PRIOR TO CONSTRUCTION. THIS DRAWING AND DESIGN IS COPYRIGHT PROTECTED WHICH SHALL NOT BE USED, REPRODUCED OR REUSED WITHOUT WRITTEN PERMISSION BY WSP CANADA INC. THE CONTRACTOR SHALL CHECK AND VERIFY ALL DIMENSIONS AND UTILITY LOCATIONS AND REPORT ALL ERRORS AND OMISSIONS PRIOR TO COMMENCING WORK.

NO.	DATE	DESCRIPTION
0	2024/05/28	ISSUED FOR TENDER

PROJECT NO:	201-12292	DATE: (YYYY/MM/DD)	2024/05/28
ORIGINAL SCALE:	HORIZONTAL: N/A	VERTICAL: N/A	IF THIS BAR IS NOT 25mm LONG, ADJUST YOUR PLOTTING SCALE.
DESIGNED BY:	J. GRAY		
DRAWN BY:	C. MACPHERSON		
CHECKED BY:	J. GRAY		

CLIENT:
MUNICIPALITY OF THE COUNTY OF ANTIGONISH

PROJECT:
 COMMUNITY ACTIVE TRANSPORTATION NETWORK IMPROVEMENTS
 ANTIGONISH, NOVA SCOTIA

TITLE:
 COVER SHEET

SHEET #:	0	OF	
ISSUE:	ISSUED FOR TENDER	REV #	0
DATE OF:	2024/05/28		

MUNICIPALITY OF THE COUNTY OF ANTIGONISH

COMMUNITY ACTIVE TRANSPORTATION IMPROVEMENTS

MULTI-USE PATHWAY DESIGN

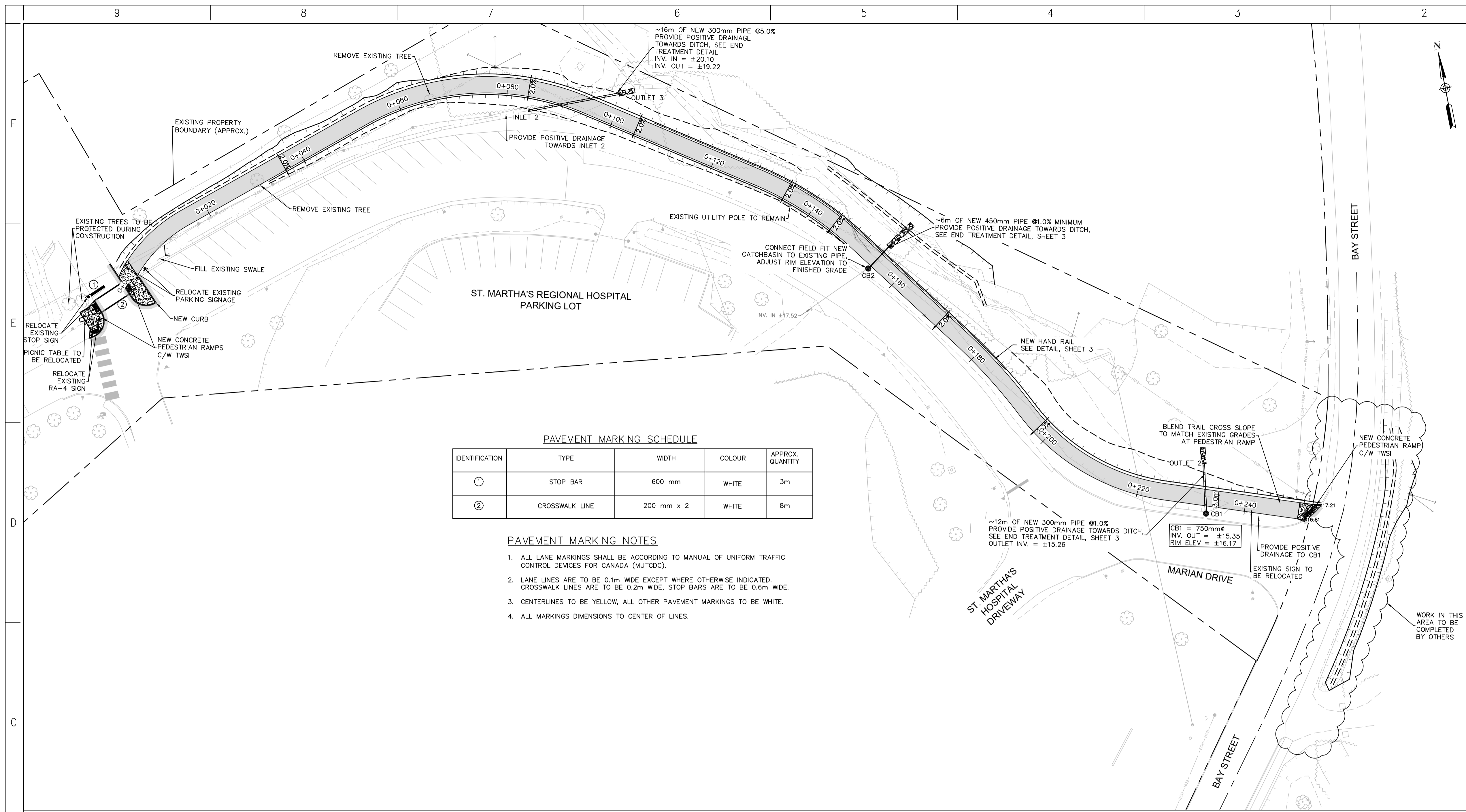
ST. MARTHA'S REGIONAL HOSPITAL DRIVEWAY TO BAY STREET

ANTIGONISH, N.S.

ISSUED FOR TENDER 2024/05/28

DRAWING LIST


- SHEET 1 - MULTI-USE PATHWAY PLAN AND PROFILE
- SHEET 2 - MULTI-USE PATHWAY CROSS SECTIONS
- SHEET 3 - MULTI-USE PATHWAY TYPICAL CONSTRUCTION NOTES AND DETAILS



PAVEMENT MARKING SCHEDULE


IDENTIFICATION	TYPE	WIDTH	COLOUR	APPROX. QUANTITY
①	STOP BAR	600 mm	WHITE	3m
②	CROSSWALK LINE	200 mm x 2	WHITE	8m

- PAVEMENT MARKING NOTES**
- ALL LANE MARKINGS SHALL BE ACCORDING TO MANUAL OF UNIFORM TRAFFIC CONTROL DEVICES FOR CANADA (MUTCD).
 - LANE LINES ARE TO BE 0.1m WIDE EXCEPT WHERE OTHERWISE INDICATED. CROSSWALK LINES ARE TO BE 0.2m WIDE, STOP BARS ARE TO BE 0.6m WIDE.
 - CENTERLINES TO BE YELLOW, ALL OTHER PAVEMENT MARKINGS TO BE WHITE.
 - ALL MARKINGS DIMENSIONS TO CENTER OF LINES.



WSP Canada Inc.
1 Spectacle Lake Drive
Dartmouth, Nova Scotia, Canada B3B 1X7
T 902-835-9955 www.wsp.com

SEAL:



LEGEND:	EXISTING	PROPOSED
GRADE OF PAVEMENT		
GRAVEL SHOULDER		
UTILITY POLE & GUY WIRE		
CURB		
HAND RAIL		
TOP OF SLOPE		
BOTTOM OF SLOPE		
DITCH/SWALE		
NEW ASPHALT FOR WIDENING		
CONCRETE SIDEWALK		
CATCH BASIN		

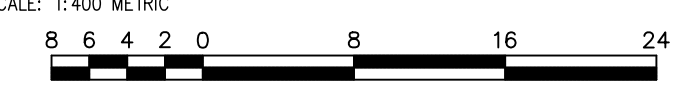
DISCLAIMER: DRAWINGS SUBJECT TO APPROVAL PRIOR TO CONSTRUCTION. THIS DRAWING AND DESIGN IS COPYRIGHT PROTECTED WHICH SHALL NOT BE USED, REPRODUCED OR REVERSED WITHOUT WRITTEN PERMISSION BY WSP CANADA INC. THE CONTRACTOR SHALL CHECK AND VERIFY ALL DIMENSIONS AND UTILITY LOCATIONS AND REPORT ALL ERRORS AND OMISSIONS PRIOR TO COMMENCING WORK.

REVISION:

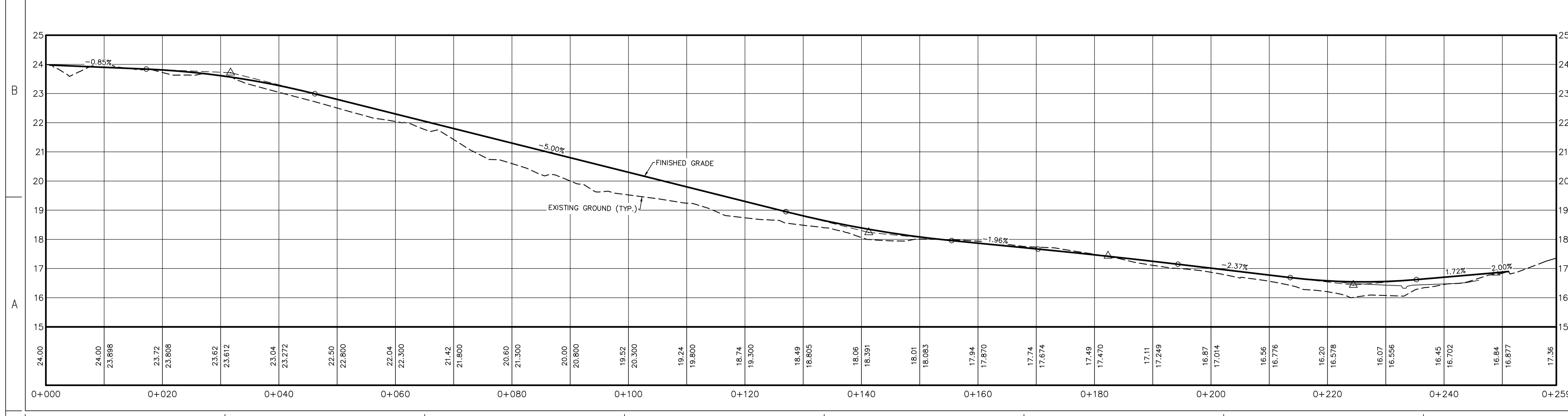
NO.	DATE	DESCRIPTION
0	2024/05/28	ISSUED FOR TENDER

PROJECT NO: 201-12292	DATE: (YYYY/MM/DD) 2024/05/28
ORIGINAL SCALE: HORIZONTAL: 1:400 VERTICAL: N/A	IF THIS BAR IS NOT 25mm LONG, ADJUST YOUR PLOTTING SCALE.
DESIGNED BY: J. GRAY	
DRAWN BY: C. MACPHERSON	
CHECKED BY: J. GRAY	


SCALE: 1:400 METRIC



SOUTH EDGE OF ASPHALT TRAIL PROFILE



CLIENT:



**MUNICIPALITY OF THE COUNTY OF
ANTIGONISH**

PROJECT:
**COMMUNITY ACTIVE TRANSPORTATION
NETWORK IMPROVEMENTS
ANTIGONISH, NOVA SCOTIA**

TITLE:
**MULTI-USE PATHWAY
PLAN AND PROFILE**

SHEET NUMBER:
SHEET # 1 OF 3

ISSUE:
ISSUED FOR TENDER
DATE OF: 2024/05/28

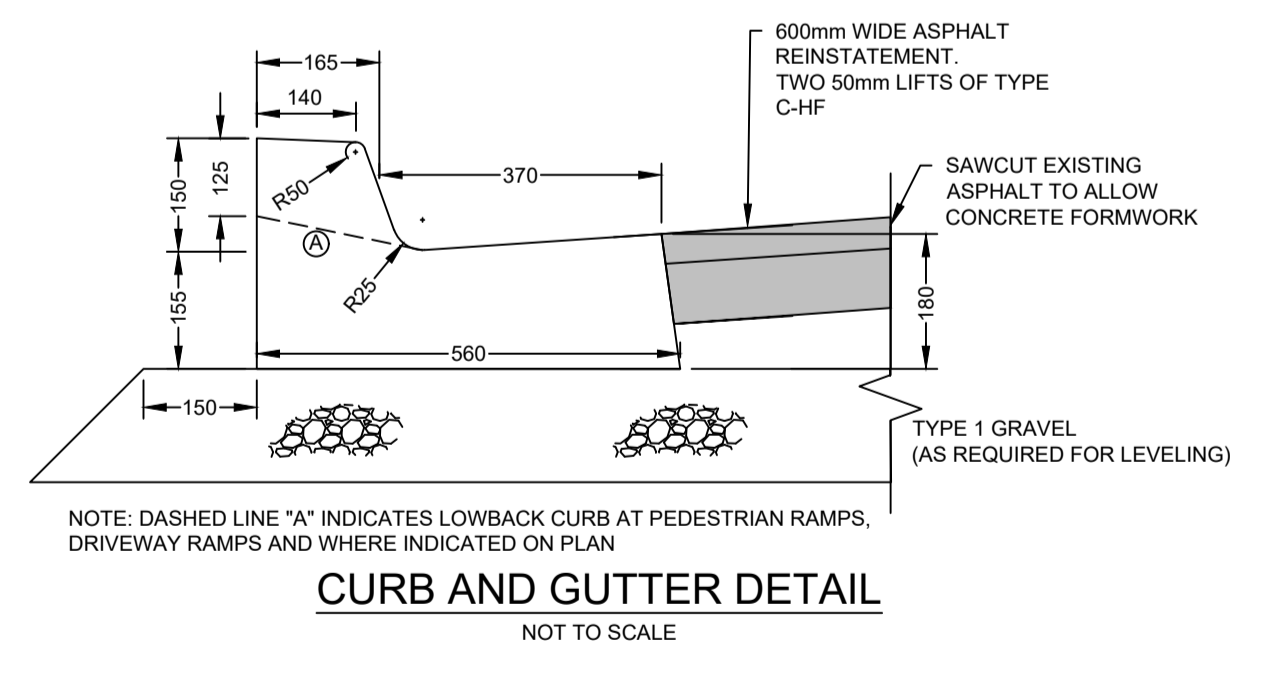
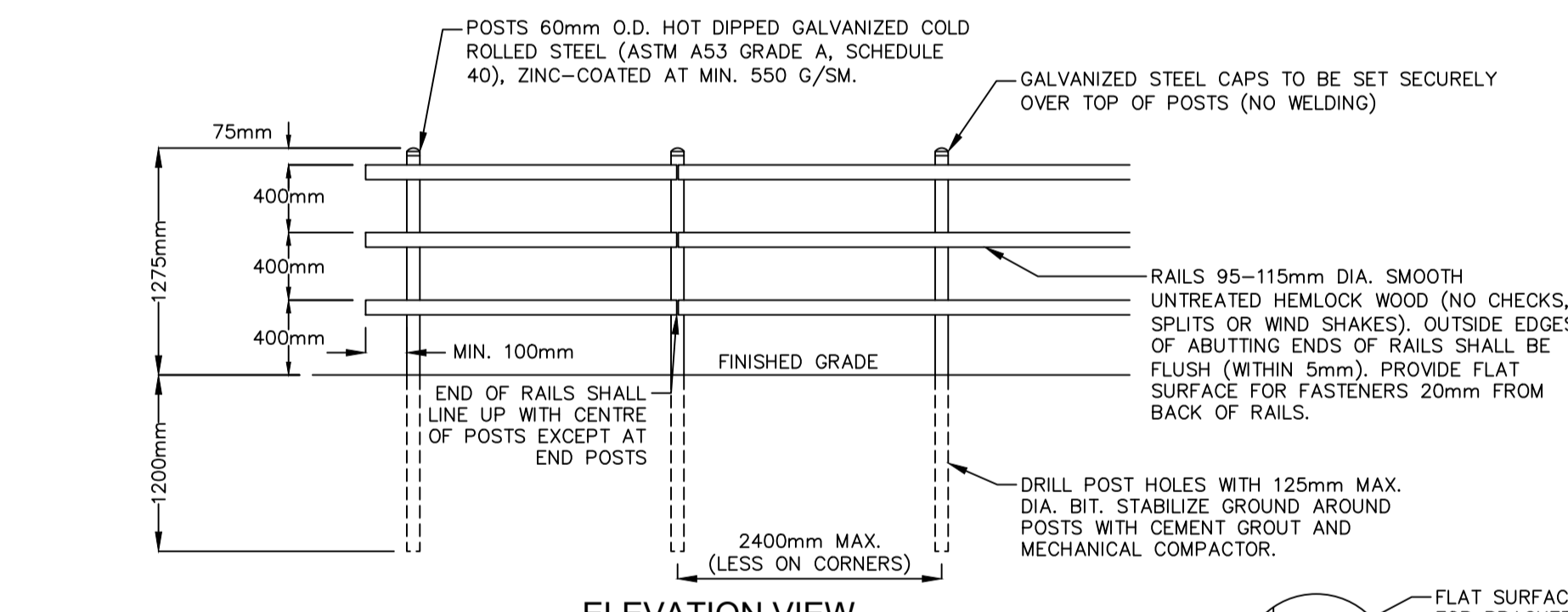
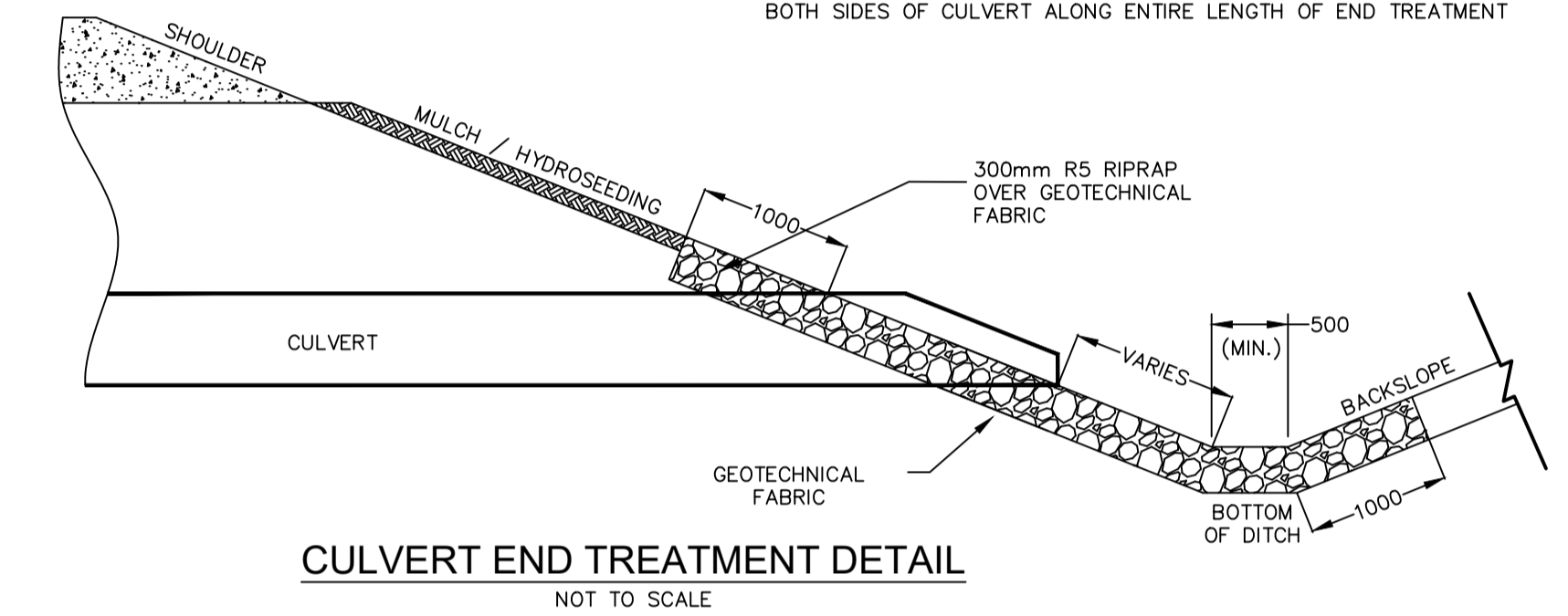
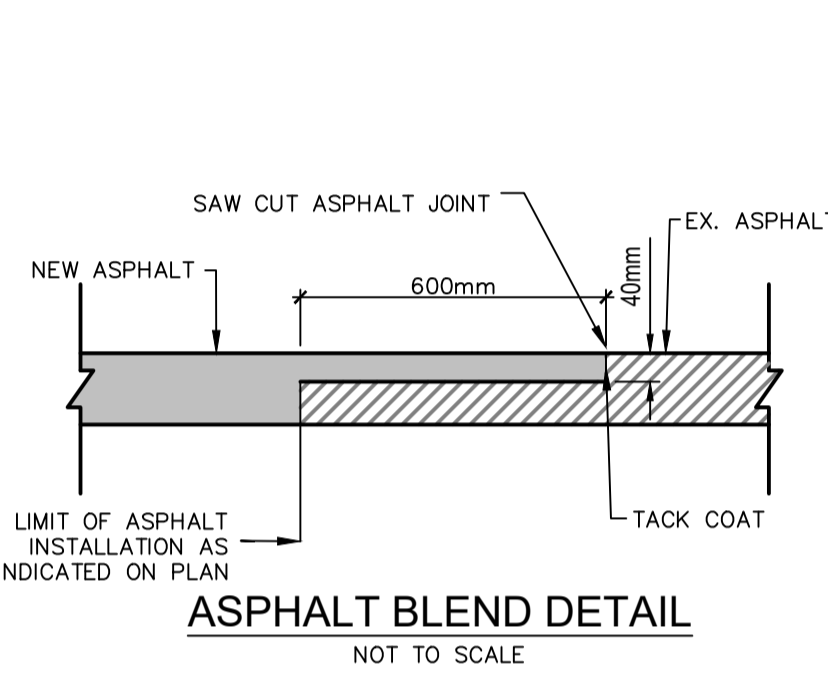
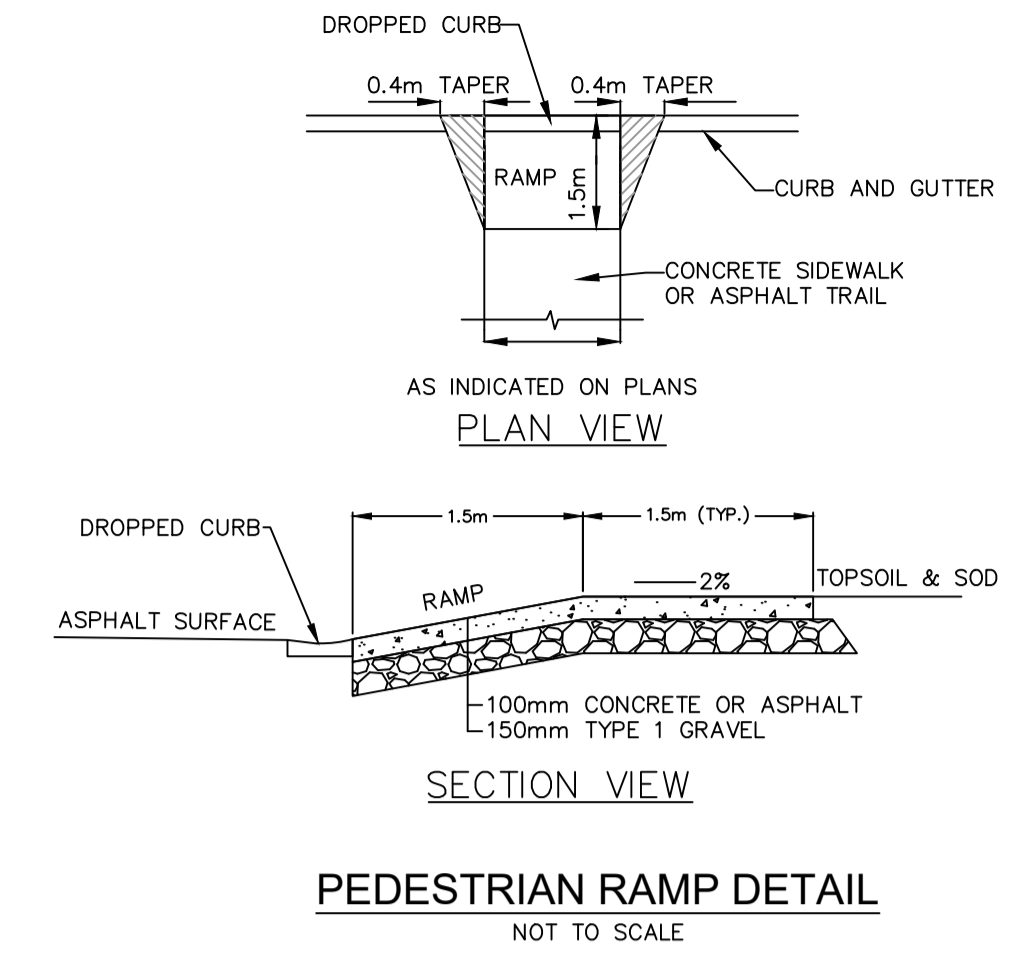
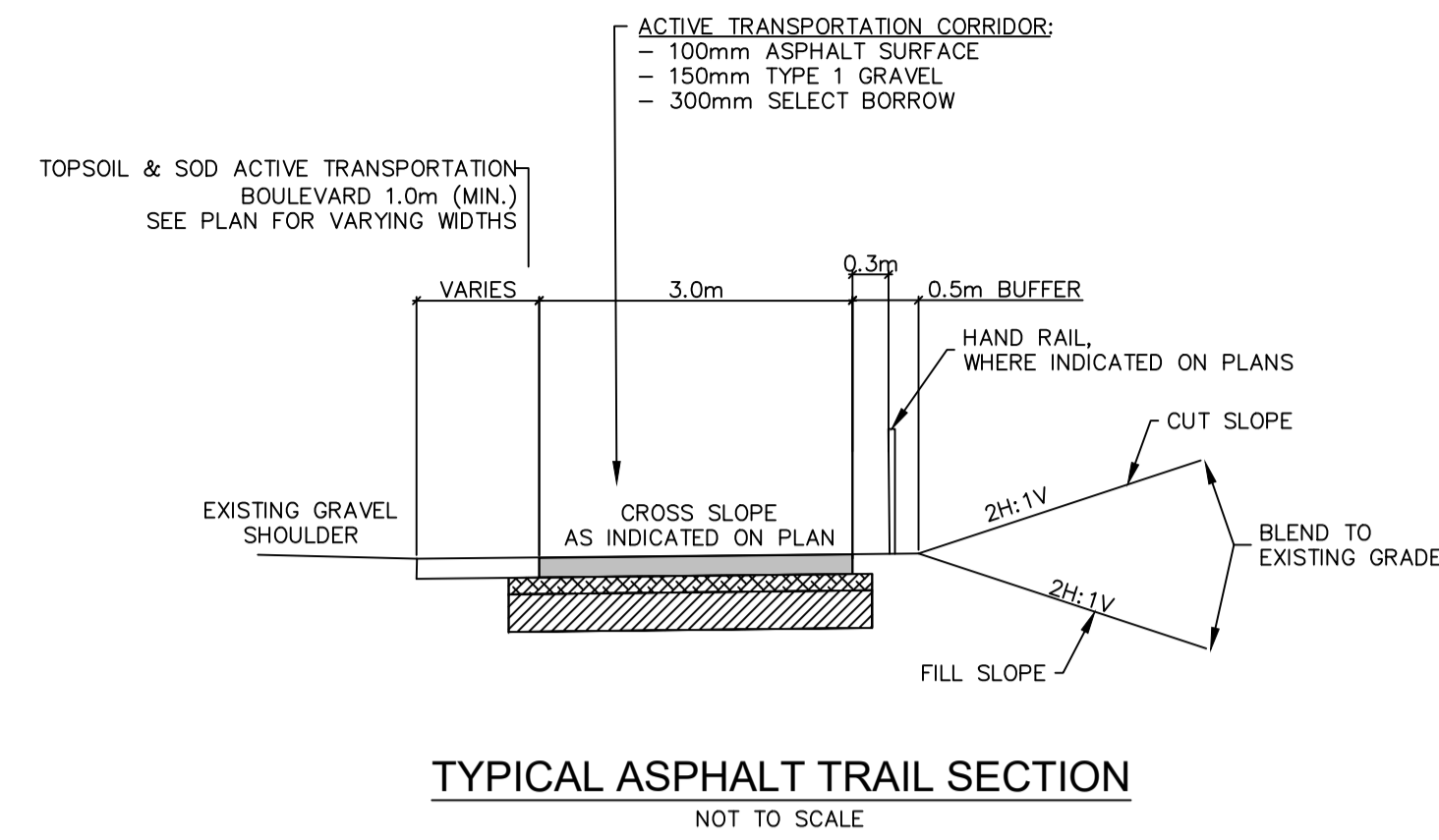
REV #
0

CONSTRUCTION NOTES

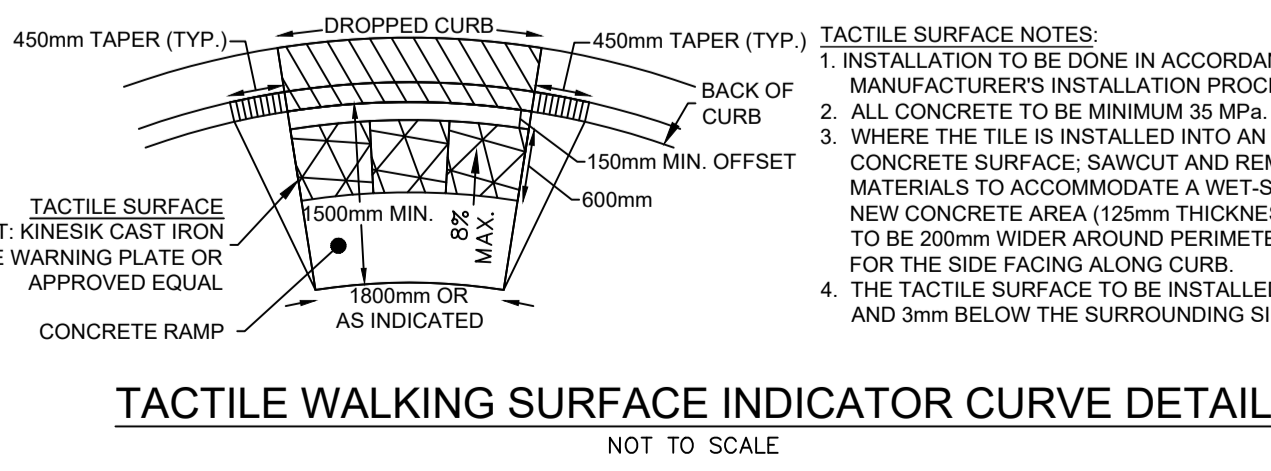
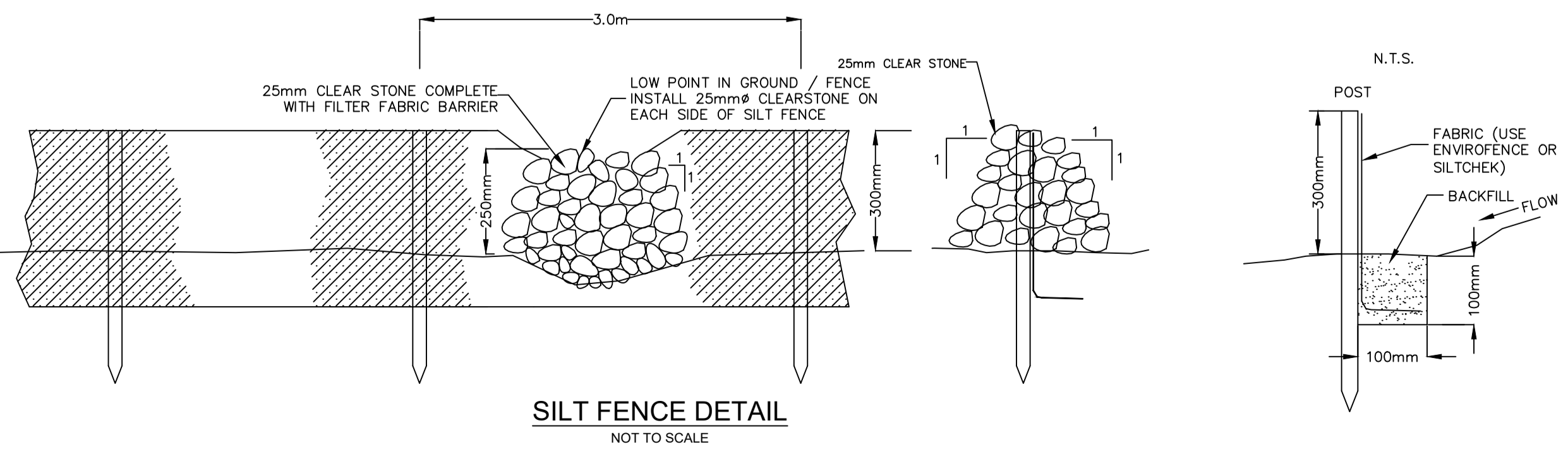
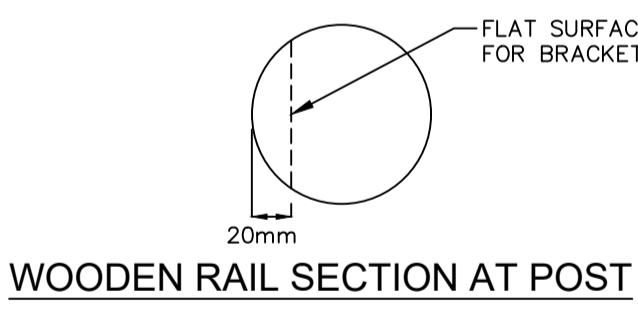
- ALL WORK TO BE DONE ACCORDING TO THE CONTRACT DOCUMENTS.
- ALL WORKS TO BE IN ACCORDANCE WITH THE "STANDARD SPECIFICATION FOR MUNICIPAL SERVICES" PREPARED JOINTLY BY THE NOVA SCOTIA ROADBUILDERS ASSOCIATION AND THE CONSULTING ENGINEERS OF NOVA SCOTIA (CURRENT EDITION).
- ALL WORKS TO BE PERFORMED IN ACCORDANCE WITH REQUIREMENTS OF NOVA SCOTIA ENVIRONMENT.
- CONTRACTOR SHALL ADHERE TO ALL OCCUPATIONAL HEALTH AND SAFETY REGULATIONS.
- ALL ELEVATIONS ARE METRIC AND GEODETIC.
- CONTRACTOR TO NOTIFY THE MUNICIPALITY OF THE COUNTY OF ANTIGONISH REGARDING CONSTRUCTION SCHEDULE PRIOR TO COMMENCING CONSTRUCTION.
- CONTRACTOR IS RESPONSIBLE TO ARRANGE FOR ON SITE LOCATES WITH ALL UTILITIES PRIOR TO START OF WORK. CONTRACTOR TO VERIFY ALL EXISTING UTILITY LOCATIONS, SUCH AS NOVA SCOTIA POWER, BELL ALIANT, AND EASTLINK. CONTRACTOR TO COORDINATE ALL WORK WITH THE NECESSARY UTILITIES.
- WORK IN THE IMMEDIATE AREA OF A NOVA SCOTIA CO-ORDINATE MONUMENT MUST BE CARRIED OUT BY HAND. THE CONTRACTOR IS RESPONSIBLE FOR ANY COSTS IF MONUMENTS ARE DISTURBED.
- CONTRACTOR RESPONSIBLE TO HAVE ANY DAMAGED/REMOVED PROPERTY SURVEY PINS REPAIRED/REPLACED BY LICENSED SURVEYOR.
- CONTRACTOR IS RESPONSIBLE FOR SETTING GRADES AND LAYOUT CONTROL TO THE SATISFACTION OF THE ENGINEER.
- THE LOCATION OF THE EXISTING INFRASTRUCTURE AS SHOWN ON THE DRAWINGS, ARE BASED ON BEST AVAILABLE INFORMATION, INCLUDING RECORD INFORMATION, FIELD SURVEYS, AND VERBAL INFORMATION, AND ARE NOT NECESSARILY ACCURATE OR COMPLETE. CONTRACTOR SHALL CONFIRM ALL EXISTING DIMENSIONS, ELEVATIONS AND LOCATIONS AND REPORT ANY DISCREPANCIES TO THE ENGINEER. CONTRACTOR TO ALLOW A 1 WEEK REVIEW PERIOD BY THE ENGINEER.
- THE CONTRACTOR SHALL TAKE ALL NECESSARY PRECAUTIONS TO PROTECT EXISTING UTILITIES FROM DAMAGE. DAMAGE TO UTILITIES SHALL BE REPAIRED AT THE CONTRACTORS EXPENSE TO THE OWNERS SATISFACTION
- MATERIALS SHALL NOT BE SUBSTITUTED UNLESS PRIOR APPROVAL IS PROVIDED BY THE ENGINEER.
- SHOP DRAWINGS TO BE PROVIDED FOR REVIEW AND APPROVAL BY THE ENGINEER PRIOR TO CONSTRUCTION.
- CONTRACTOR IS RESPONSIBLE FOR THE PROTECTION OF TREES, WITHIN THE CONSTRUCTION AREA. TREES ARE NOT TO BE REMOVED WITHOUT PERMISSION OF THE ENGINEER. THE CONTRACTOR IS RESPONSIBLE FOR ANY TREE PRUNING THAT MAY BE NECESSARY AND ALL TREE PRUNING SHALL TAKE PLACE PRIOR TO THE START OF CONSTRUCTION.
- CONTRACTOR TO TAKE ALL NECESSARY MEASURES TO MINIMIZE DISTURBANCE TO EXISTING TREES AND TREE ROOTS DURING CONSTRUCTION.
- ALL DISTURBED STREET SURFACES TO BE REINSTATED TO NSTIR STANDARDS. REINSTATE ALL CONCRETE OR ASPHALT TO SATISFACTION OF ENGINEER WHILE ALL OTHER AREAS TO BE SODDED/HYDROSEEDDED, COMPLETE WITH 100MM OF TOP SOIL.
- DO NOT ENCROUGH ON ADJACENT PROPERTY, MAKE GOOD ANY DAMAGE TO ADJACENT PROPERTIES AT CONTRACTOR'S EXPENSE. PERMISSION FROM LANDOWNER(S) REQUIRED TO WORK ON PRIVATE PROPERTY.
- ALL EARTHWORK (INCLUDING SUBGRADE), TRENCH WORK, PIPE BEDDING, AND SURFACE TREATMENT (INCLUDING ASPHALT AND GRAVEL) TO BE REVIEWED AND CERTIFIED BY PROJECT GEOTECHNICAL ENGINEER.
- DRAWINGS SUBJECT TO CONSTRUCTION APPROVAL BY THE APPLICABLE APPROVAL AGENCIES, NOVA SCOTIA DEPARTMENT OF ENVIRONMENT, PRIOR TO CONSTRUCTION.
- CONTRACTOR RESPONSIBLE FOR ALL TRAFFIC CONTROL MEASURES REQUIRED FOR THE PROJECT
- ALL EXISTING CULVERTS AND PIPES ALONG INFILL AREA ARE TO BE REMOVED AND DISPOSED OF OUTSIDE OF PROJECT LIMITS AT THE CONTRACTORS EXPENSE.
- THE ELEVATION OF ALL CATCH BASIN TOPS ARE APPROXIMATE ONLY. THE CONTRACTOR SHALL PROVIDE ALLOWANCE IN THE FORM OF 200mm OF CONCRETE GRADE RINGS, WHERE POSSIBLE, TO PERMIT SITE ADJUSTMENTS FOR THE TOPS OF THE CATCH BASINS.
- ANY MINOR GRADE CHANGES REQUIRED TO THE STORM SYSTEM WILL BE CONSIDERED INCIDENTAL TO THE PROJECT. NO EXTRA WILL BE ALLOWED.
- THE INVERTS OF ALL NEW CATCH BASINS ARE TO BE CONFIRMED ON SITE ON AN INDIVIDUAL BASIS TO SUIT EXISTING CONDITIONS. CONTRACTOR TO ENSURE POSITIVE DRAINAGE TO THE CATCH BASINS. MINIMUM SLOPE OF LATERALS TO BE 1.0% UNLESS AUTHORIZED OTHERWISE.
- ALL CATCH BASIN LOCATIONS SHOWN ARE CONSIDERED AS APPROXIMATE LOCATIONS ONLY. FINAL LOCATIONS ARE TO BE DETERMINED ON SITE JOINTLY BY THE ENGINEER, AND THE CONTRACTOR. NO EXTRAS WILL BE PAID AS A RESULT OF MINOR SITE CHANGES.
- EXISTING STREET CROSS SLOPE TO BE EXTENDED TO NEW EDGE OF ASPHALT. NO ISOLATED HIGH SPOTS ARE ALLOWED. IF A SITUATION IS TO ARISE, NOTIFY THE FIELD ENGINEER FOR FURTHER DIRECTION.
- NO PIPES ARE TO BE BACKFILLED WITHOUT THE FIELD ENGINEER'S INSPECTION AND APPROVAL.
- NO TRENCHES WILL BE ALLOWED TO BE LEFT OPEN OVERNIGHT.
- GRADE AND COMPACT SUB-GRADE PRIOR TO PLACING SELECT BORROW MATERIAL. IF SOFT AREAS DEVELOP, REPAIR PRIOR TO PLACING SELECT BORROW MATERIAL TO THE SATISFACTION OF THE ENGINEER.
- THE CONTRACTOR SHALL BE RESPONSIBLE TO PROVIDE ADEQUATE PROTECTION OF UTILITIES FROM DAMAGE DURING CONSTRUCTION AND REPAIR / RELOCATE AS NECESSARY.
- ALL AREAS DISTURBED DURING CONSTRUCTION ARE TO BE REINSTATED TO THE ORIGINAL CONDITION TO THE APPROVAL OF THE ENGINEER. ALL COSTS FOR REINSTATEMENT ARE TO BE INCLUDED IN THE PER UNIT COST OF ITEMS INVOLVED.

EROSION AND SEDIMENT CONTROL NOTES

- CONSTRUCTION ACTIVITY TO BE CARRIED OUT BASED ON THE PRINCIPLE THAT PREVENTION OF SEDIMENT LADEN RUN-OFF IS THE FOCUS RATHER THAN RELYING ON TREATMENT AT OUTFALL. THIS IS TO BE ACCOMPLISHED BY MINIMIZING EXPOSED SOIL. ONCE EXCAVATION HAS BEGUN IN A PARTICULAR AREA, THE WORK IS TO BE COMPLETED IN THAT AREA, INCLUDING FINAL GRADING AND STABILIZATION. ON THIS PROJECT IT WILL BE UNACCEPTABLE TO CONSTRUCT THE ENTIRE PROJECT AND THEN DO ALL STABILIZATION WORK. SOIL STABILIZATION WORK ON THIS PROJECT WILL BE AN ONGOING PROCESS HEAVILY INFLUENCED BY WEATHER FORECASTS. RECOMMENDED MAXIMUM AREA OF EXPOSED SOIL TO BE NO MORE THAN 15% OF THE TOTAL PROPOSED WORKING AREA OR 1 HECTARE WHICHEVER IS GREATER.
- ALL WORKS TO BE PERFORMED IN ACCORDANCE WITH THE REQUIREMENTS OF THE NOVA SCOTIA DEPARTMENT OF ENVIRONMENT.
- CONTRACTOR TO OBTAIN ALL NECESSARY PERMITS TO PERFORM WORKS, AND COMPLY WITH ALL PERMIT REQUIREMENTS AND CONDITIONS INCLUDING THE PROVISION OF SECURITY.
- CONTRACTOR IS RESPONSIBLE FOR THE PROTECTION OF NATURAL WATERCOURSES FROM DAMAGE DUE TO SILTATION RUN-OFF FROM THE CONSTRUCTION SITE. ACCEPTABLE CONSTRUCTION PROCEDURES MAY BE OBTAINED FROM THE "EROSION AND SEDIMENTATION CONTROL HANDBOOK FOR CONSTRUCTION SITES", CURRENT EDITION BY THE NOVA SCOTIA DEPARTMENT OF THE ENVIRONMENT.
- CONTRACTOR TO HAVE AN APPOINTED EROSION AND SEDIMENTATION CONTROL PERSON. THIS PERSON IS RESPONSIBLE TO REVIEW, UPGRADE, AND MAINTAIN THE EROSION AND SEDIMENTATION CONTROL MEASURES FOR THE DURATION OF THE CONSTRUCTION UNTIL THE COMPLETE SITE IS STABILIZED.
- CONTRACTOR TO MONITOR ENVIRONMENT CANADA'S 5 DAY FORECAST ON A DAILY BASIS. WHEN RAIN IS FORECAST, CONTRACTOR TO ENSURE THAT ALL EXPOSED AREAS ARE STABILIZED PRIOR TO RAINFALL EVENT. ENVIRONMENT CANADA'S WEATHER LINE 426-9090.
- CONTRACTOR TO INSPECT SEDIMENT CONTROL STRUCTURES AND MAKE NECESSARY REPAIRS ON A WEEKLY BASIS AND BEFORE AND AFTER EACH RAINFALL EXCEEDING 10MM. CONTRACTOR TO KEEP A LOG DOCUMENTING INSPECTIONS, REMEDIATION ACTION AND WEEKLY REPORT OF EXPOSED AREAS.
- TRIBUTARY STORMWATER FROM SITE TO BE DIRECTED TO SEDIMENTATION CONTROL DEVICES AT ALL TIMES DURING CONSTRUCTION.
- CONTRACTOR TO INSTALL AND MAINTAIN DIVERSION DITCHES AROUND AND THROUGH THE SITE AS NECESSARY TO KEEP CLEAN WATER CLEAN.
- CONTRACTOR TO HAVE ADDITIONAL SILT FENCE, BALED HAY AND LOOSE HAY AND/OR MULCH ON SITE FOR MAINTENANCE AND INSTALLATION OF ADDITIONAL MEASURES AS REQUIRED.
- COVER EXPOSED SURFACES WITH HAY, MULCH OR WOOD CHIPS AS REQUIRED TO PREVENT SEDIMENT RUN-OFF. MAINTAIN COVERAGE THROUGHOUT CONSTRUCTION PERIOD.
- CONTRACTOR TO LEAVE SEDIMENTATION BERMS AND PONDS IN SERVICE UNTIL PROJECT ENGINEER REQUESTS THAT THEY BE TAKEN OUT OF SERVICE. BERMS AND PONDS TO REMAIN IN PLACE THROUGH CONSTRUCTION PERIOD.
- THE CONTRACTOR SHALL DO THE FOLLOWING TO TAKE THE SEDIMENTATION BERMS AND PONDS OUT OF SERVICE:
 - LEVEL OFF BERMS.
 - HYDROSEED AND COVER ALL DISTURBED AREAS WITH HAY.
 - FILL IN PONDS (WHERE REQUIRED)
- ALL LOT DRAINAGE EASEMENTS TO BE HYDROSEEDDED AND MULCHED AT COMPLETION OF GRADING ACTIVITY.
- ALL EXPOSED AREAS NOT FINISHED WITH ASPHALT, CONCRETE, GRAVEL, OR SOD TO HAVE TOPSOIL AND BE HYDROSEEDDED.
- STOCKPILED MATERIALS ON-SITE MUST BE STABILIZED USING APPROPRIATE MEASURES INCLUDING SILT FENCE, HAY AND TARPS.
- ALL SEDIMENT CONTROL MEASURES TO BE FUNCTIONAL AT ALL TIMES DURING CONSTRUCTION.
- CONTRACTOR TO LEAVE SEDIMENTATION CONTROL MEASURES IN SERVICE UNTIL ENGINEER OR THE MUNICIPALITY REQUESTS THAT THEY BE TAKEN OUT OF SERVICE.
- THE SEDIMENTATION AND EROSION CONTROL MEASURES OUTLINED ON THIS PLAN ARE RECOMMENDATIONS ONLY. DEPENDING ON SITE CONDITIONS DURING CONSTRUCTION, ADDITIONAL MEASURES MAY BE REQUIRED.



- NOTES:**
- THERE SHALL BE NO EXPOSED (NON-GALVANIZED) STEEL, EXCEPT THE TOP OF POSTS (PRIOR TO PLACEMENT OF CAPS).
 - BEND FLANGES OF BRACKETS TO ANGLE REQUIRED WHEN FENCE IN ON A HORIZONTAL CURVE.



wsp
WSP Canada Inc.
1 Spectacle Lake Drive
Dartmouth, Nova Scotia, Canada B3B 1X7
T 902-835-9955 www.wsp.com

REGISTERED PROFESSIONAL ENGINEER
DATE: May 28, 2024
J. GRAY
11649
PROVINCE OF NOVA SCOTIA

LEGEND:	EXISTING	PROPOSED
EDGE OF PAVEMENT		
GRAVEL SHOULDER		
UTILITY POLE & GUY WIRE		
CURB		
HAND RAIL		
TOP OF SLOPE		
BOTTOM OF SLOPE		
DITCH/SWALE		
NEW ASPHALT FOR WIDENING		
CONCRETE SIDEWALK		
CATCH BASIN		

DISCLAIMER: DRAWINGS SUBJECT TO APPROVAL PRIOR TO CONSTRUCTION. THIS DRAWING AND DESIGN IS COPYRIGHT PROTECTED WHICH SHALL NOT BE USED, REPRODUCED OR REISED WITHOUT WRITTEN PERMISSION BY WSP CANADA INC. THE CONTRACTOR SHALL CHECK AND VERIFY ALL DIMENSIONS AND UTILITY LOCATIONS AND REPORT ALL ERRORS AND OMISSIONS PRIOR TO COMMENCING WORK.

REVISION:

NO.	DATE	DESCRIPTION
0	2024/05/28	ISSUED FOR TENDER

PROJECT NO: 201-12292
DATE: (YYYY/MM/DD) 2024/05/28
ORIGINAL SCALE: HORIZONTAL: N/A VERTICAL: N/A
DESIGNED BY: J. GRAY
DRAWN BY: C. MACPHERSON
CHECKED BY: J. GRAY

MUNICIPALITY OF THE COUNTY OF
ANTIGONISH

COMMUNITY ACTIVE TRANSPORTATION NETWORK IMPROVEMENTS
ANTIGONISH, NOVA SCOTIA

MULTI-USE-PATHWAY CONSTRUCTION NOTES AND TYPICAL DETAILS

SHEET NUMBER: 3 OF 3
ISSUED FOR TENDER
DATE OF: 2024/05/28

K:\DARTMOUTH\2020\201-12292-00 - ANTIGONISH COUNTY AT DESIGN\03-CAD DRAWINGS - TRAFFIC AND CIVIL\3.3-PRODUCTION DWGS\201-12292 - PLAN AND PROFILES - MIP.DWG PRINTED: 10:52 AM 2024/05/28 BY: CACM09337